

# PLASMA BIONICS

## V10 AIR PLASMA STERILIZER

SAFE. FAST. EASY.

### DATA SHEET



[plasmabionics.com](http://plasmabionics.com)

## TECHNICAL SPECIFICATIONS

<b>Exterior dimensions</b>	28.75 in x 19.25 in x 18.75 in (73 cm x 49 cm x 48 cm)
<b>Installation space requirement</b>	30.75 in x 21.25 in x 20.75 in (2 inches on all sides)
<b>Sterilization chamber dimensions<sup>1</sup></b>	18 in x 16 in x 7 in (46 cm x 41 cm x 18 cm)
<b>Sterilization chamber volume<sup>1</sup></b>	33 L (8.7 gal)
<b>Sterilization tray dimensions<sup>1</sup></b>	16 in x 10 in x 4 in (41 cm x 25 cm x 10 cm)
<b>Sterilization tray volume<sup>1</sup></b>	10.5 L (2.8 gal)
<b>Weight</b>	110 lbs (49.9 kg)
<b>Operating temperature</b>	5-40 °C (41-104 °F)
<b>Storage temperature</b>	-25-60 °C (-13-140 °F)
<b>Electrical requirements</b>	115 VAC, 60 Hz, 6.5 A max (250 V, 8 A rated fuse)
<b>Operating relative humidity</b>	0%-95%
<b>Operating altitude</b>	Up to 2,000 m (6,562 ft), 545-775 Torr (72.4-103.4 kPa)

<sup>1</sup> Instruments being sterilized must fit within the area of the sterilization tray.

## STERILIZATION CYCLE SPECIFICATIONS

<b>Type of sterilization cycle</b>	Single cycle sterilizes most general surgical and laparoscopic instruments*
<b>Sterilization process</b>	Air Plasma Sterilization™ process, terminal sterilization using overkill method to provide SAL of 10 <sup>-6</sup>
<b>Total sterilization cycle time</b>	Approximately 4 hours
<b>Preconditioning time</b>	15-20 min <sup>+</sup>
<b>Sterilizing time</b>	3 hours
<b>Ventilating time</b>	45 minutes
<b>Sterilant</b>	Reactive oxygen and nitrogen species, primarily ozone, nitrogen dioxide, and hydroxyl radicals
<b>Sterilant production</b>	Sterilant gases produced from preconditioned air along the surface of the plasma sheet
<b>Sterilant delivery</b>	Sterilant gases produced inside sterilization chamber
<b>Sterilant removal</b>	Sterilant gases are converted back into air by pumping through Carulite® 200 granular catalyst
<b>Critical process parameters</b>	Air temperature, pressure, and humidity are monitored during preconditioning, voltage feedback from plasma production is monitored throughout the sterilizing step
<b>Sterility assurance</b>	Biological indicators (≥10 <sup>6</sup> spores of <i>Geobacillus stearothermophilus</i> ) <a href="https://biologicalindicators.mesalabs.com/exposure/">https://biologicalindicators.mesalabs.com/exposure/</a>

\*see lumen claims below and separate material compatibility lists

<sup>+</sup>Preconditioning time may vary based on environmental conditions (i.e. relative humidity, temperature, altitude)

## CONSUMABLES\*

Consumable	Usable life (sterilization cycles)	Disposal	Shelf life	Storage
Plasma sheet	15	No restrictions <sup>1</sup>	Indefinite	Away from heat and moisture
Desiccant canister	50-75	No restrictions	Indefinite <sup>2</sup>	Away from heat and moisture
Catalyst canister	200	No restrictions	Indefinite <sup>2</sup>	Away from heat and moisture
Chemical indicator tape	N/A	No restrictions	Indefinite	Away from heat, moisture, and oxidative gases

\*Please refer to the Recommended Pouches and Wraps document for compatible sterilization pouches and wraps.

<sup>1</sup>Plasma sheets can be returned to Plasma Bionics LLC for recycling

<sup>2</sup>Indefinite shelf life in original packaging

## NETWORKING AND DATA RECORDING

<b>Data recording</b>	Electronic data storage up to 10,000 cycles, USB data retrieval for record keeping
<b>Network connectivity</b>	No network connectivity feature on model V10

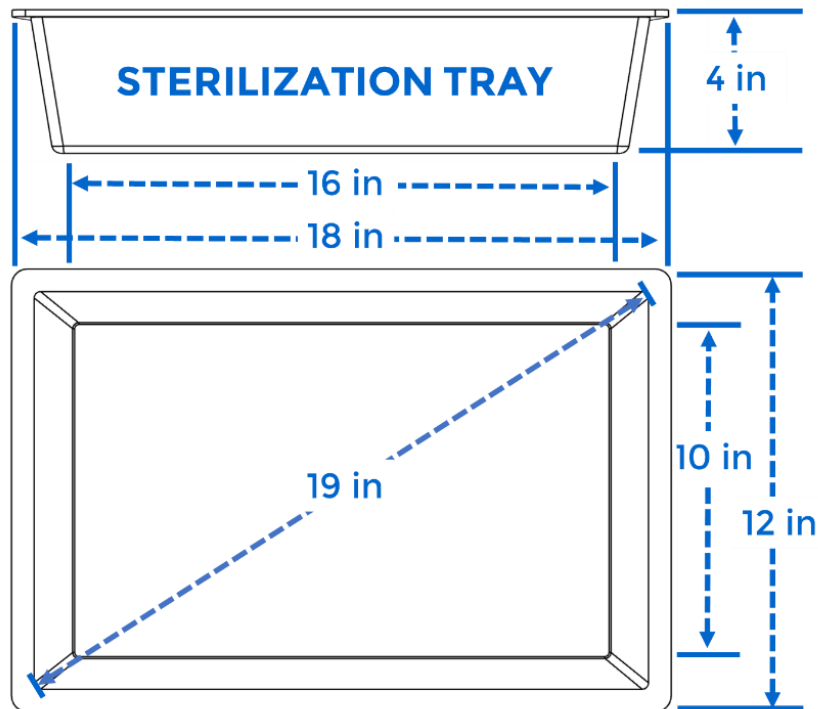
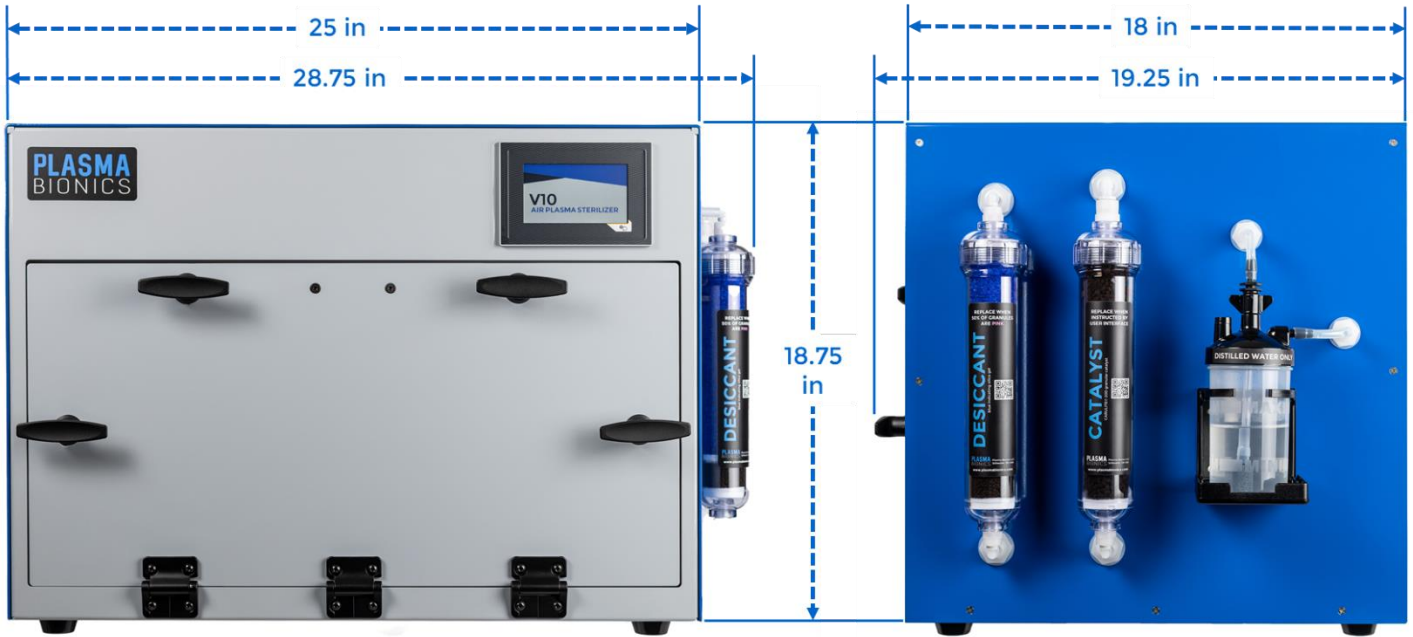
## ORDERING INFORMATION

Product Code	Product Description
V101	V10 Air Plasma Sterilizer
S201	Plasma Sheets (4 pack)
D501	Desiccant Cannister
C601	Catalyst Cannister
CS401	Chemical Indicator Strips (250 per box)
CL801	Chemical Indicator Labels (500 per roll)
P701	Electrical Connector Protection Kit

## LUMEN CLAIMS

Diameter	Length
1 mm	≤200 mm
2 mm	≤400 mm
3 mm	≤600 mm
4 mm	≤800 mm
≥6 mm	≤1200 mm





[plasmabionics.com](http://plasmabionics.com)

