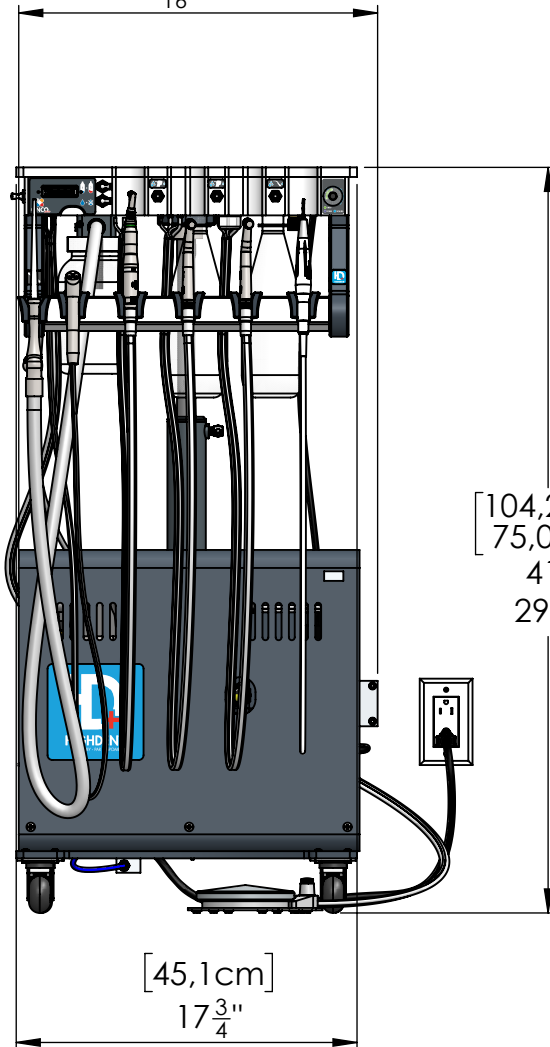


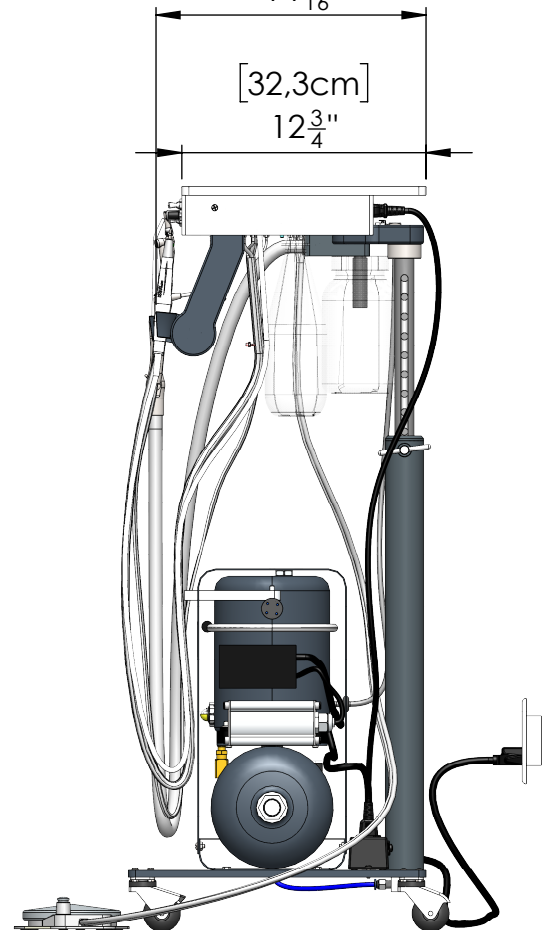
[47,5cm]  
18 $\frac{11}{16}$ "

[35,7cm]  
14 $\frac{1}{16}$ "



[32,3cm]  
12 $\frac{3}{4}$ "

[104,2cm]  
75,0cm  
41"  
29 $\frac{1}{2}$ "



[45,1cm]  
17 $\frac{3}{4}$ "